

PORTABLE SYSTEMS DEEP MARKING

MC2000 P (72x35)

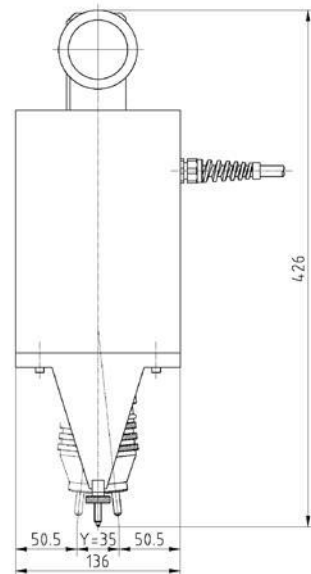
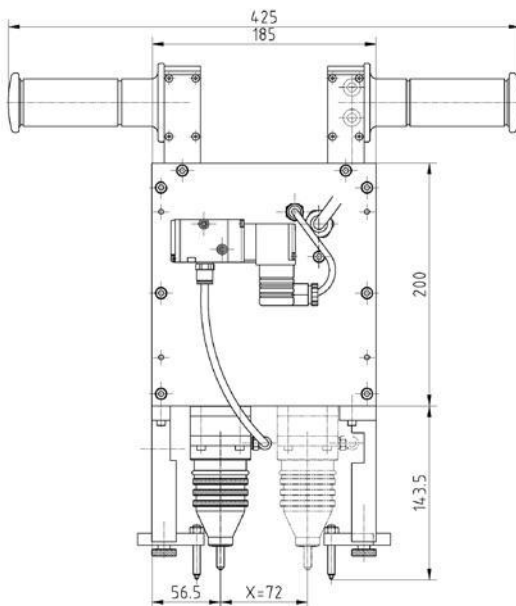
Super Fast



Model of great mechanical stiffness, specially intended for deep marking applications. Compact and strong, ideal for field marking of big parts.

High marking speed on any kind of material and hardness.

Reliable, strong and low-maintenance machine.



Technical Features

- Marking area 72x35mm (200x35mm option available).
- Maximum marking speed: 4 char./sec.
- Special pneumatic head (N34) for deep marking and pneumatic head (N20) as an option.
- Robotics cable length: 5 metres (custom length possible).
- Air pressure: 6 bars.
- Weight: 15kg.
- Connection to T2 controller (see controller specifications).
- Wide range of characters from 1 to 48 mm. Anagrams, logos, etc. based editing software.



Thailand Distributor
CODE MASTER CO.,LTD.
66 2nd Fl., Soi Ram Intra 99, Kannayao Sub-District, Kannayao District, Bangkok 10230
Tel. (02) 540-1061-62, 089-133-5300 Fax. (02) 540-1869
Email : cmaster@truemail.co.th ; codemastercenter@gmail.com www.codemasternet.com



MC 2000T² CONTROLLER

MC 2000T² is the latest generation electronic controller for all MC2000 marking machines. The MC 2000T² controller embodies the best features of all previous COUTH control units and incorporates cutting-edge technology improvements. That makes it the most powerful and flexible tool of its kind in the market.

Its new vectorial-definition based marking system makes it possible to mark any kind and size of character and logo without losing resolution.

Technical Features

- Stand-alone unit. No PC required for its operation.
- Controller suitable for any COUTH marking system.
- Pneumatic or electromagnetic drive according to mechanics.
- Graphic menus for easier use.
- Multi-language menus.
- Vectorial marking without losing resolution whatever the size.
- Straight, oblique, arc and symmetrical marking capabilities.
- Marking of serial numbers, prior setting of range and recurrence, shifts, time, date, week...
- Marking of logos and special characters.
- Marking of 2D DataMatrix coding.
- Choice of fonts. Possibility of creating customised fonts.
- Adjustable character compression, expansion, spacing, italic writing and dot density.
- Adjustable speed and impacting force.
- Plug-in or built-in Start/Stop push-button box.
- Slave mode of operation with PC or PLC.
- RS232 series interface, adaptable to RS485, Ethernet, Profibus...
- 11 input signals and 7 output signals, all programmable for connection to PLC.
- Socket for external keyboard connection.
- Socket for barcode or DataMatrix code reader connection.
- Connector for plate feeder, rotating devices, jogging systems...
- 40-line files (75 characters/line)
- Storage of up to 500 files
- PC-compatible SD Card for storage and transfer of settings, files, logos...
- RoHS standard compliant SMD technology. - Complies with CE mark European Directive.
- Power supply: 110/220V, 50/60Hz.
- 120mmx90mm, 320x240 pixel grey scale display.
- Dimensions (width x height x depth -mm-) 280x160x261.
- Weight: 5.450kg



Zikuñaga 48 - Apdo. 30, 20120 HERNANI - SPAIN
 Tfno.: +34 943 556 412 Fax: +34 943 555 262
 E-mail: couth@couth.com
www.couth.com



ISO 9001:2008